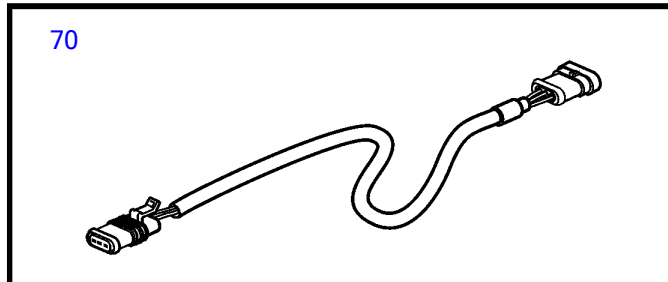
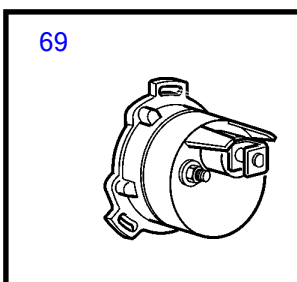
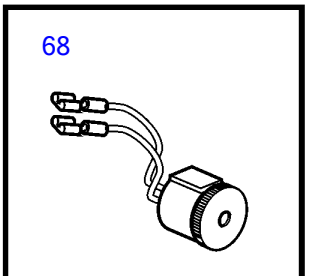
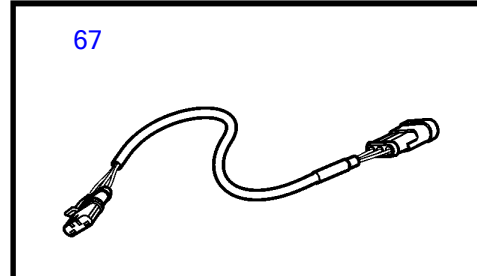
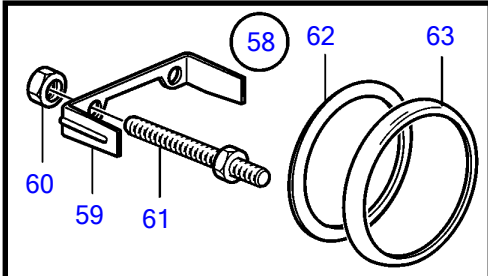
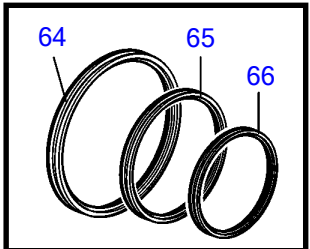
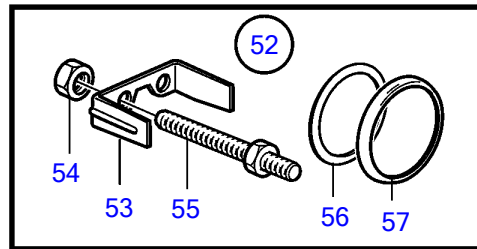
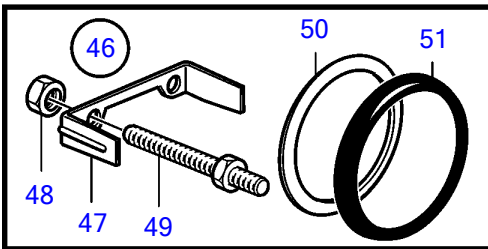
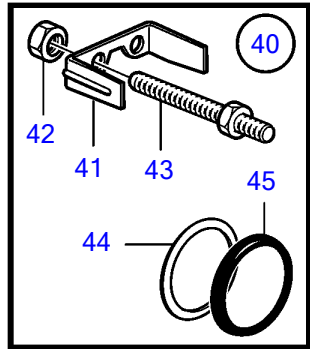
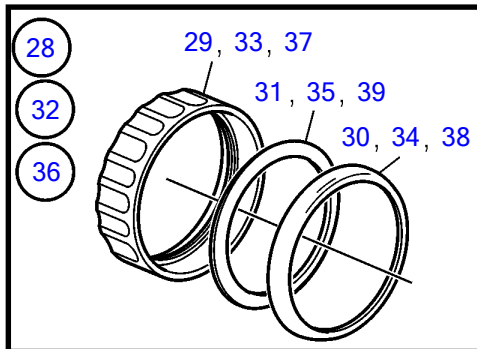
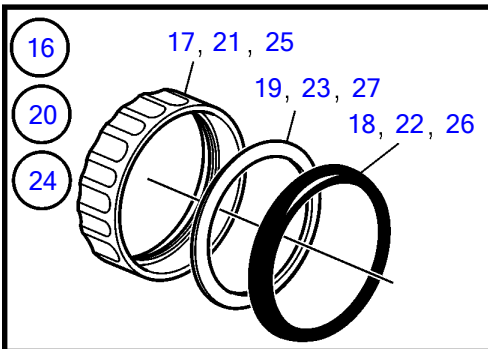
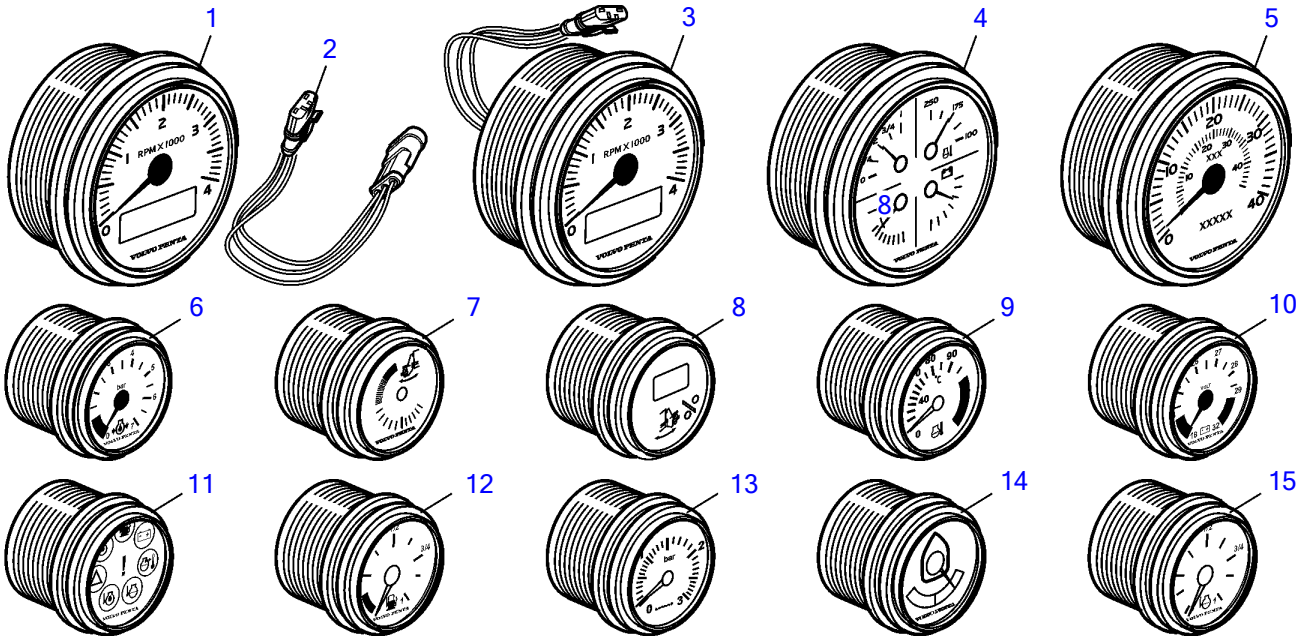


D4-180I-B, D4-180I-C, D4-180I-D, D4-180I-E, D4-210A-A, D4-210I-A, D4-210I-B, D4-225I-B, D4-225A-C, D4-225A-D, D4-225I-C, D4-225I-D, D4-260A-A, D4-260A-B, D4-260A-C, D4-260A-D, D4-260D-B, D4-260D-C, D4-260D-D, D4-260I-A, D4-260I-B, D4-260I-C, D4-260I-D, D4-300A-A, D4-300A-C, D4-300A-D, D4-300D-A, D4-300D-C, D4-300I-A, D4-300I-C, D4-300I-D, D4-225A-E, D4-225I-E, D4-260A-E, D4-260D-E, D4-260I-E, D4-300A-E, D4-300D-E, D4-300D-D, D4-300I-E



27263

D4-180I-B, D4-180I-C, D4-180I-D, D4-180I-E, D4-210A-A, D4-210I-A, D4-210I-B, D4-225I-B, D4-225A-C, D4-225A-D, D4-225I-C, D4-225I-D, D4-260A-A, D4-260A-B, D4-260A-C, D4-260A-D, D4-260D-B, D4-260D-C, D4-260D-D, D4-260I-A, D4-260I-B, D4-260I-C, D4-260I-D, D4-300A-A, D4-300A-C, D4-300A-D, D4-300D-A, D4-300D-C, D4-300I-A, D4-300I-C, D4-300I-D, D4-225A-E, D4-225I-E, D4-260A-E, D4-260D-E, D4-260I-E, D4-300A-E, D4-300D-E, D4-300D-D, D4-300I-E

REF	PART NO.	QTY	DESCRIPTION	SEE SEC.	NOTES
1	21509650	1	Tachometer kit		Black, 4000rpm, Cable included, D=85mm
	21509649	1	Tachometer kit		White, 4000rpm, Cable included, D=85mm
2	3884843	1	• Wiring harness		
3	21234542	1	Tachometer kit		White, 4000rpm, Cable included, D=110mm
	21234543	1	Tachometer kit		Black, 4000rpm, Cable included, D=110mm
4	3885214	1	Instrument		Four in one gauge (oil pressure, coolant temp, fuel level, volt meter), White, D=110mm
			• Bulletin P-36-9-3	P-36-9-3-EN	New products in the EVC family
4	3885215	1	Instrument		Four in one gauge (trim analog, coolant temp, fuel level, volt meter), White, D=110mm
			• Bulletin P-36-9-3	P-36-9-3-EN	New products in the EVC family
4	3847876	1	Instrument		Four in one gauge (oil pressure, coolant temp, fuel level, volt meter), Black, D=110mm
			• Bulletin P-36-9-3	P-36-9-3-EN	New products in the EVC family
4	3847879	1	Instrument		Four in one gauge (trim analog, coolant temp, fuel level, volt meter), Black, D=110mm
			• Bulletin P-36-9-3	P-36-9-3-EN	New products in the EVC family
5	874930	1	Speedometer		White 0-40 Knots, 0-40 mph
	874917	1	Speedometer		Black 0-40 knots, 0-40 mph
	881650	1	Speedometer		White 0-60 Knots, 0-60 mph
	881645	1	Speedometer		Black 0-60 knots, 0-60 mph
	3807508	1	Speedometer		Black, 0-40 mph
	3847851	1	Speedometer		Black, 0-45 mph
	3807510	1	Speedometer		Black, 0-60 mph
	3847857	1	Speedometer		Black, 0-70 mph
	(3807512)	1	Speedometer		Obsolete part, White, 0-40 mph
	3847854	1	Speedometer		White, 0-45 mph
	3807513	1	Speedometer		White, 0-60 mph
	3847860	1	Speedometer		White, 0-70 mph
	3595249	1	Speedometer		Unit neutral, White, D=110mm, 0-40
			• Bulletin P-36-9-3	P-36-9-3-EN	New products in the EVC family
5	3595253	1	Speedometer		Unit neutral, White, D=110mm, 0-60
			• Bulletin P-36-9-3	P-36-9-3-EN	New products in the EVC family
5	3595246	1	Speedometer		Unit neutral, Black, D=110mm, 0-40
			• Bulletin P-36-9-3	P-36-9-3-EN	New products in the EVC family
5	3595250	1	Speedometer		Unit neutral, Black, D=110mm, 0-60
			• Bulletin P-36-9-3	P-36-9-3-EN	New products in the EVC family
6	874919	1	Oil pressure gauge		Black 0-100 psi
	874923	1	Oil pressure gauge		White 0-7 bar
	874932	1	Oil pressure gauge		White 0-100 psi
7	3812881	1	Instrument		Black analog
	3812911	1	Instrument		White analog
8	881648	1	Trimmer		Black digital
	881654	1	Trimmer		White digital
9	874904	1	Thermometer, coolant water		Black 0-120°C
	874921	1	Thermometer, coolant water		White 0-120°C
	874918	1	Thermometer, coolant water		Black 40-250 °F
	874931	1	Thermometer, coolant water		White 40-250 °F
	881857	1	Thermometer, oil		Black 40-300 °F
	881858	1	Thermometer, oil		White 40-300 °F
10	881649	1	Voltmeter		12V, black
	881658	1	Voltmeter		12V, white
	874913	1	Voltmeter		24V, black
	874925	1	Voltmeter		24V, white
11	874915	1	Instrument, alarm		Black D=52mm
	874927	1	Instrument, alarm		White D=52mm
12	874914	1	Fuel gauge		Black D=52mm
	874926	1	Fuel gauge		White D=52mm
13	874910	1	Turbo pressure gauge		Black 0-3 bar
	874920	1	Turbo pressure gauge		Black 0-45 psi
	874924	1	Turbo pressure gauge		White 0-3 bar
	874933	1	Turbo pressure gauge		White 0-45 psi
14	3812914	1	Rudder indicator		Black
	3812917	1	Rudder indicator		White
15	874911	1	Pressure gauge, freshwater		Black 0-3 bar

D4-180I-B, D4-180I-C, D4-180I-D, D4-180I-E, D4-210A-A, D4-210I-A, D4-210I-B, D4-225I-B, D4-225A-C, D4-225A-D, D4-225I-C, D4-225I-D, D4-260A-A, D4-260A-B, D4-260A-C, D4-260A-D, D4-260D-B, D4-260D-C, D4-260D-D, D4-260I-A, D4-260I-B, D4-260I-C, D4-260I-D, D4-300A-A, D4-300A-C, D4-300A-D, D4-300D-A, D4-300D-C, D4-300I-A, D4-300I-C, D4-300I-D, D4-225A-E, D4-225I-E, D4-260A-E, D4-260D-E, D4-260I-E, D4-300A-E, D4-300D-E, D4-300D-D, D4-300I-E

REF	PART NO.	QTY	DESCRIPTION	SEE SEC.	NOTES
	874912	1	Pressure gauge, sea water		Black 0-3 bar
16	874709	1	Mounting kit		Black D=52mm
17	874450	1	• Attaching ring		
18	874448	1	• Ring		
19	874707	1	• Gasket		
20	874708	1	Mounting kit		Black D=85mm
21	874449	1	• Attaching ring		
22	874447	1	• Ring		
23	874706	1	• Gasket		
24	3847888	1	Mounting kit		Black D=110mm
			• Bulletin P-36-9-3	P-36-9-3-EN	New products in the EVC family
25	(3884098)	1	• Attaching ring		Obsolete part
26	3847887	1	• Ring		
27	3884103	1	• Gasket		
28	874733	1	Mounting kit		Chrome D=52mm
29	874450	1	• Attaching ring		
30	874731	1	• Ring		
31	874707	1	• Gasket		
32	874732	1	Mounting kit		Chrome D=85mm
33	874449	1	• Attaching ring		
34	874730	1	• Ring		
35	874706	1	• Gasket		
36	3885216	1	Mounting kit		Chrome D=110mm
			• Bulletin P-36-9-3	P-36-9-3-EN	New products in the EVC family
37	(3884098)	1	• Attaching ring		Obsolete part
38	3884096	1	• Ring		
39	3884103	1	• Gasket		
40	881611	1	Brace kit		Black D=52mm
41	881607	1	• Brace		
42	881610	2	• Nut		
43	881609	2	• Stud		
44	874707	1	• Gasket		
45	874448	1	• Ring		
46	881612	1	Brace kit		Black D=85mm
47	881608	1	• Brace		
48	881610	2	• Nut		
49	881609	2	• Stud		
50	874706	1	• Gasket		
51	874447	1	• Ring		
52	881613	1	Brace kit		Chrome D=52mm
53	881607	1	• Brace		
54	881610	2	• Nut		
55	881609	2	• Stud		
56	874707	1	• Gasket		
57	874731	1	• Ring		
58	881614	1	Brace kit		Chrome D=85mm
59	881608	1	• Brace		
60	881610	2	• Nut		
61	881609	2	• Stud		
62	874706	1	• Gasket		
63	874730	1	• Ring		
64	3886791	1	X-ring		For flush mounting., D=110mm
			• Bulletin P-36-9-3	P-36-9-3-EN	New products in the EVC family
65	874844	1	X-ring		For flush mounting., D=85mm
66	874843	1	X-ring		For flush mounting., D=52mm
67	874759	1	Extension cable'verl		L=1000mm
	3807043	1	Extension cable'verl		L=3000mm
68	3817974	1	Alarm		
69	3809099	1	Rudder position sens		Rudder indicator
70	22275729	1	Extension cable'verl		L=300mm

7746200-30-22157

27263

Upd:2014-07-03